

23-60  
Watt

SELV

PF  
 $\lambda \geq 0,95$ 

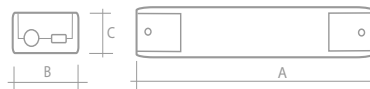
IP20



EMC

 $t_a -10^{\circ} \div +40^{\circ}C$ DALI  
DimmableDALI  
DimmableDALI  
Dimmable  
1-10V

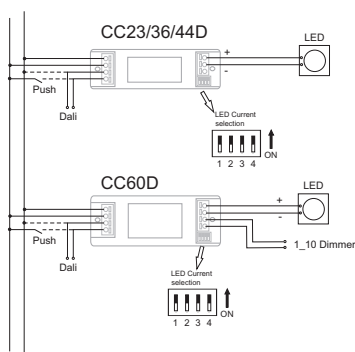
only for CC60WD



Part Number	Iout	Vout Led Min	Vout Led Max	W	Dimensions A x B x C	Protocol
A40CC23WD00B	100÷700mA	2,5V	2,5-46VDC	23W	163 x 30 x 21	DALI / PUSH
A40CC36WD00B	150÷900mA	2,5V	2,5-50VDC	36W	163 x 30 x 21	DALI / PUSH
A40CC44WD00B	300÷1050mA	9V	9-49V	44W	163 x 30 x 21	DALI / PUSH
A40CC60WD00B	1250÷2000mA	9V	3-42V	60W	164 x 43 x 30	DALI / PUSH / 1-10V



Datasheet download

**Alimentatore dimmerabile Multicurrent per LED**

- Alimentatore indipendente - IP20 - Classe II di isolamento - SELV
- Comando della luce DALI/ PUSH (1-10V solo per CC60WD)
- Memoria di regolazione anche in assenza di rete
- Uscita in corrente costante regolabile tramite DIP-Switches da 100 a 2000mA,  $\pm 5\%$
- Protezione autoripristinante contro le sovratemperature, contro il circuito aperto ed i corto-circuiti sul secondario.
- Morsetti rapidi
- Alto fattore di potenza
- Spessore ridotto
- Pressacavo adatto a vari tipi di cavo, sia tondi che piatti
- Alimentazione: 220V  $\div$  240V/AC - Uscita stabilizzata

**Dimmable Multicurrent LED Driver**

- For independent mounting - IP20 - Insulation class II - SELV
- Light controls: DALI/ PUSH (1-10V only for CC60WD)
- Memory of regulation even with mains not connected
- Output in constant current from 100 to 2000mA  $\pm 5\%$  settable by Dip-Switches
- Self-resetting protection against overtemperatures, open circuit and against output short circuits
- Fast terminals
- High power factor
- Reduced thickness
- Cable clamp for flat and round cables
- Input voltage: 220V  $\div$  240V/AC - Steady output

Part number	Output Current	Input Current	Input Power	Output Power Range	$\lambda$ Power Factor	Efficiency @230V	Output Voltage	No Load Voltage
<b>A40CC23WD00B</b> <u>Input Voltage 220-240</u>	100mA	0.03A	6.1W	0.25-4.60W	0.78	75%	2.5-46V	60V Max.
	150mA	0.04A	8.6W	0.37-6.90W	0.85	80%		
	200mA	0.05A	11.2W	0.50-9.20W	0.89	82%		
	250mA	0.06A	13.6W	0.62-11.50W	0.91	84%		
	300mA	0.07A	16.0W	0.75-13.80W	0.93	86%		
	350mA	0.08A	18.5W	0.87-16.10W	0.94	87%		
	400mA	0.09A	21.1W	1.00-18.40W	0.94	87%		
	450mA	0.10A	23.5W	1.12-20.70W	0.95	88%		
	500mA	0.11A	26.1W	1.25-23.00W	0.96	88%	2.5-42V	
	550mA	0.11A	26.2W	1.37-23.10W	0.96	88%	2.5-38V	
	600mA	0.11A	26.2W	1.50-22.80W	0.96	87%	2.5-35V	
	650mA	0.11A	26.1W	1.62-22.75W	0.96	87%	2.5-33V	
700mA	0.12A	26.5W	1.75-23.10W	0.96	87%			
<b>A40CC36WD00B</b> <u>Input Voltage 220-240</u>	150mA	0.10A	9.3W	0.37-7.50W	0.77	80%	2.5-50V	60V Max.
	200mA	0.11A	12.3W	0.50-10.00W	0.81	81%		
	250mA	0.12A	15.2W	0.62-12.50W	0.82	82%		
	300mA	0.13A	18.0W	0.75-15.00W	0.83	83%		
	350mA	0.14A	20.8W	0.87-17.50W	0.84	84%		
	400mA	0.15A	23.5W	1.00-20.00W	0.85	85%		
	450mA	0.16A	26.1W	1.12-22.50W	0.86	86%		
	500mA	0.17A	29.0W	1.25-25.00W	0.87	86%		
	550mA	0.18A	31.6W	1.37-27.50W	0.88	87%		
	600mA	0.19A	34.4W	1.50-30.00W	0.89	87%		
	650mA	0.20A	37.3W	1.62-32.50W	0.90	87%		
	700mA	0.21A	39.7W	1.75-35.00W	0.91	88%		
	750mA	0.22A	35.7W	1.87-31.50W	0.92	88%	2.5-42V	
	800mA	0.23A	38.1W	2.00-33.60W	0.93	88%		
850mA	0.24A	40.5W	2.12-35.70W	0.94	88%	2.5-42V		
900mA	0.25A	40.9W	2.25-36.00W	0.95	88%			
<b>A40CC44WD00B</b> <u>Input Voltage 220-240</u>	300mA	0.12A	17.13W	2.70-14.70W	0.86	86%	9-49V	59V Max.
	350mA	0.13A	19.83W	3.15-17.15W	0.87	86.5%		
	400mA	0.14A	22.53W	3.60-19.60W	0.88	87%		
	450mA	0.15A	25.20W	4.05-22.05W	0.89	87.5%		
	500mA	0.16A	27.90W	4.50-24.50W	0.90	88%		
	550mA	0.17A	30.62W	4.95-26.95W	0.91	88%		
	600mA	0.18A	33.41W	5.40-29.40W	0.92	88%		
	650mA	0.19A	36.19W	5.85-31.85W	0.93	88%		
	700mA	0.21A	38.97W	6.30-34.30W	0.94	88%		
	750mA	0.22A	40.90W	6.75-36.00W	0.94	88%		
	800mA	0.22A	40.90W	7.20-36.00W	0.95	88%	9-45V	
	850mA	0.23A	43.46W	7.65-38.25W	0.95	88%		
	900mA	0.24A	46.02W	8.10-40.50W	0.95	88%	9-42V	
	950mA	0.24A	45.34W	8.55-39.90W	0.95	88%		
	1000mA	0.25A	47.72W	9.00-42.00W	0.95	88%		
	1050mA	0.26A	50.11W	9.45-44.10W	0.95	88%		
<b>A40CC60WD00B</b> <u>Input Voltage 220-240</u>	1250mA	0.24A	59.0W	3.75-52.50W	0.93	89%	3-42V	59V Max.
	1300mA	0.25A	61.3W	3.90-54.60W	0.94	89%	3-42V	
	1350mA	0.26A	63.7W	4.05-56.70W	0.94	89%	3-42V	
	1400mA	0.27A	65.6W	4.20-58.8W	0.95	90%	3-42V	
	1450mA	0.28A	68.4W	4.35-60.90W	0.95	89%	3-42V	
	1500mA	0.29A	68.1W	4.50-60.00W	0.96	88%	3-40V	
	1550mA	0.29A	68.6W	4.65-60.45W	0.96	88%	3-39V	
	1600mA	0.30A	69.1W	4.80-60.80W	0.96	88%	3-38V	
	1650mA	0.30A	69.3W	4.95-61.05W	0.95	88%	3-37V	
	1700mA	0.30A	69.5W	5.10-61.20W	0.96	88%	3-36V	
	1750mA	0.30A	69.6W	5.25-62.25W	0.96	88%	3-35V	
	1800mA	0.30A	69.5W	5.40-61.20W	0.96	88%	3-34V	
	1850mA	0.30A	69.3W	5.55-61.05W	0.96	88%	3-33V	
	1900mA	0.30A	69.0W	5.70-60.80W	0.96	88%	3-32V	
	1950mA	0.30A	68.6W	5.85-60.45W	0.96	88%	3-31V	
	2000mA	0.30A	68.1W	6.00-60.00W	0.96	88%	3-30V	

