

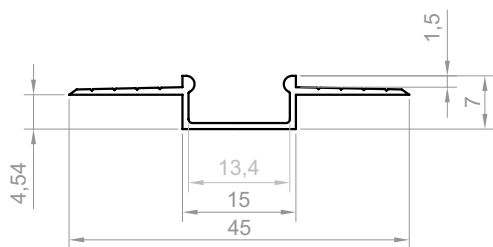


GK6-3

Product code: 966302
EAN code: 5904996210762

PROFILE TYPE	LED TAPE WIDTH
recessed	up to 12 mm
COLOUR VERSIONS	LENGTH
silver anodised painted in white painted in black anthracite grey others - on demand	1000 mm 2000 mm 3000 mm 4000-6000 mm (on demand)

TECHNICAL DRAWING WITH DIMENSIONS

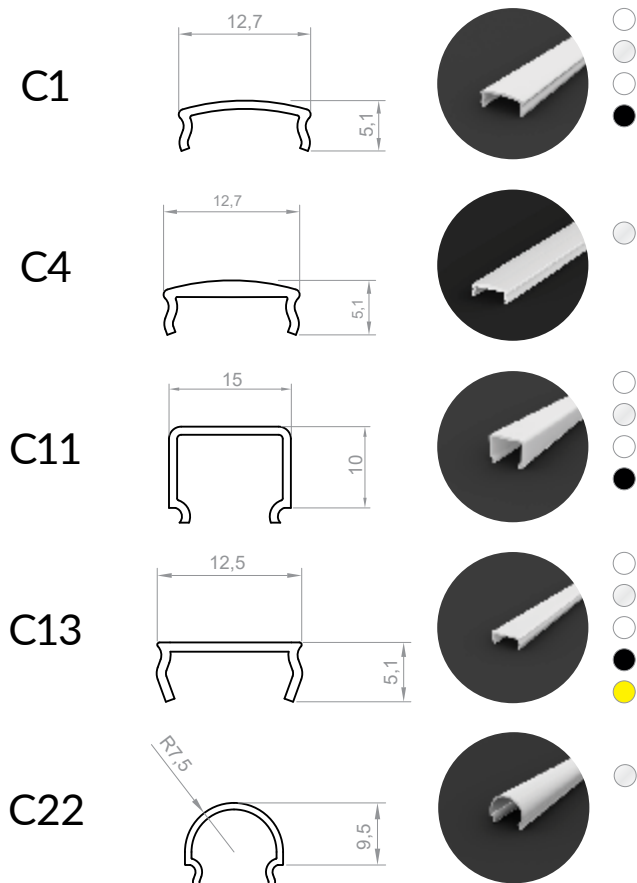


1:1

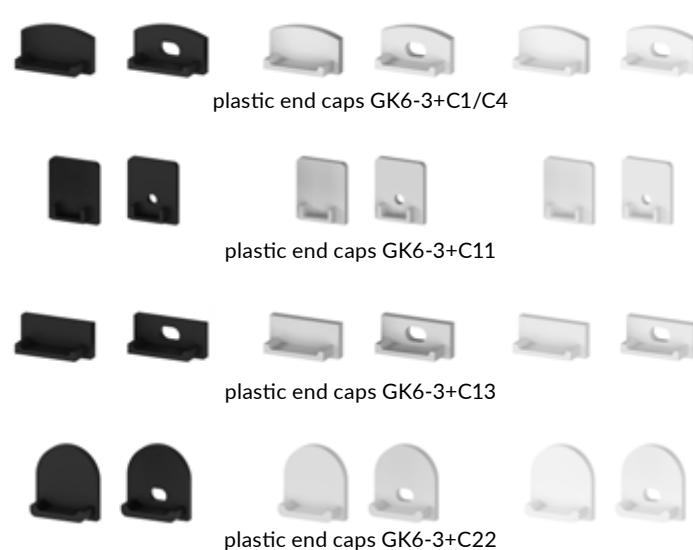
INSTALLATION INSTRUCTIONS



COVERS (CLICK-FIT)



END CAPS



GK6-3

