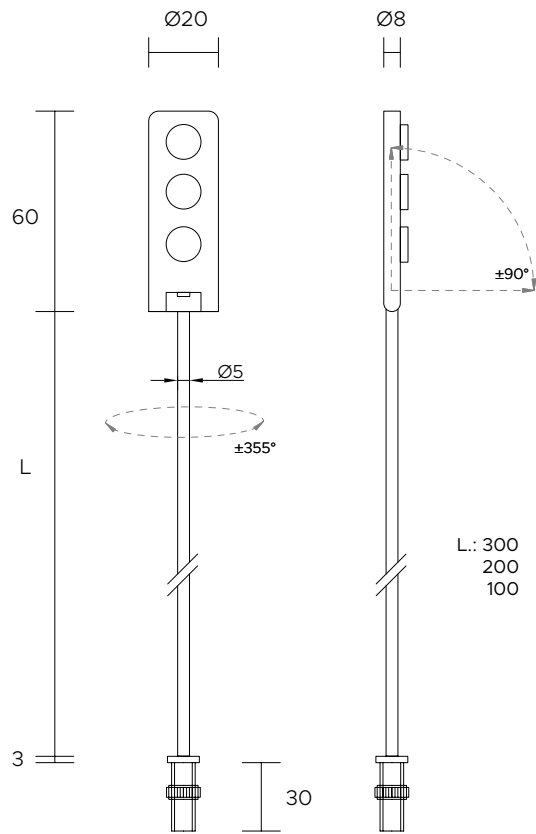


# Thin



Ø 10mm



<b>POWER SUPPLY</b>	max 3W - max 350mA												
<b>CODE</b>	THP03 <span style="color: green;">■</span> <span style="color: yellow;">■</span> <span style="color: red;">■</span> <span style="color: blue;">■</span>												
<b>LED COLOUR</b>	C - Cool white 5000°K N - Natural white 4000°K W - Warm white 3000°K H - Warm white 3000°K - CRI90 Y - Warm white 2700°K A - Amber												
<b>OPTICS</b>	<table border="1"> <tr> <td>M</td> <td>W</td> <td>X</td> <td>E</td> </tr> <tr> <td></td> <td></td> <td></td> <td></td> </tr> <tr> <td>20°</td> <td>35°</td> <td>50°</td> <td>20°x45°</td> </tr> </table>	M	W	X	E					20°	35°	50°	20°x45°
M	W	X	E										
20°	35°	50°	20°x45°										
<b>FINISHES</b>	G - Grey B - Black												
<b>STEM LENGHT</b>	1 - 100mm 2 - 200mm 3 - 300mm												
<b>LUMEN OUTPUT SOURCE</b>	330lm (3000°K, 350mA)												
<b>DELIVERED LUMEN OUTPUT</b>	280lm (3000°K, 350mA, 50°)												
<b>LED NUMBER</b>	3 power LEDs												
<b>MATERIAL</b>	body and stem in anodized aluminium												
<b>DRIVER</b>	not included, see pag. 322 and 326												
<b>POWER CABLE</b>	includes 0,5 mt FEP 2 x 0,35 cable												
<b>WIRING</b>	in series												
<b>MOUNTING</b>	surface (ceiling, wall, bottom up)												
<b>NOTES</b>	other finishes on request												