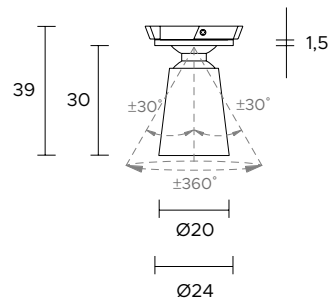


Pixye 16



Ø 20mm



POWER SUPPLY	max 1W - max 350mA															
CODE	PXY16 ■ ■ ■															
LED COLOUR	C - Cool white 5500°K N - Natural white 4000°K W - Warm white 3000°K H - Warm white 3000°K - CRI90 Y - Warm white 2700°K A - Amber															
OPTICS	<table border="0"> <tr> <td>N</td> <td>M</td> <td>W</td> <td>X</td> <td>E</td> </tr> <tr> <td></td> <td></td> <td></td> <td></td> <td></td> </tr> <tr> <td>15°</td> <td>25°</td> <td>40°</td> <td>60°</td> <td>25°x45°</td> </tr> </table>	N	M	W	X	E						15°	25°	40°	60°	25°x45°
N	M	W	X	E												
15°	25°	40°	60°	25°x45°												
FINISHES	G - Grey B - Black															
LUMEN OUTPUT SOURCE	110lm (3000°K, 350mA)															
DELIVERED LUMEN OUTPUT	110lm (3000°K, 350mA, 40°)															
LED NUMBER	1 power LED															
MATERIAL	body and flange in anodized aluminium															
DRIVER	not included, see pag. 322 and 326															
POWER CABLE	includes 0,5 mt FEP 2 x 0,35 cable															
WIRING	in series															
MOUNTING	recessed (ceiling, wall, bottom up)															
NOTES	other finishes on request															